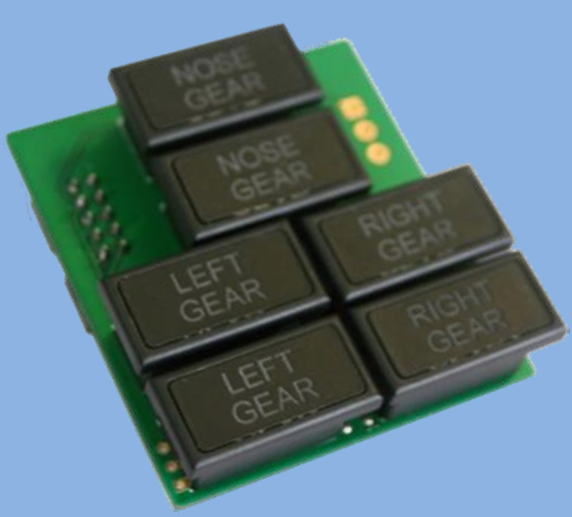


Landing Gear Annunciators Module

S737-MIP-C-NL-A10-0136

Datasheet - Landing Gear Annunciators Module V2 - Rev1.2.docx



Module Dimensions: (WxHxD) mm3	48 x 25 x 24 mm3
Module Line:	N/A
Backlight (12V):	No
Backpanel:	Yes, Specific PCB
Hardware Interface: (See Chapter 1.2)	To be connected to a Control Board like SimCard Ethernet, IOCard USB, etc.
Knobs:	No
Plug Ready Module:	Yes
Simulator Model:	Sim737NG
Scale:	1:1
Price (without VAT)	Web: Shop

www.sismo-soluciones.com

## 1 Compatibility

### 1.1 Software Compatibility

This module uses IDC connectors to interface with electronic I/O Boards, they cannot be connected directly to a Computer, it has to be through an electronic Board (see hardware compatibility). If the electronic board is a SimCard, then this module is compatible with the following Add-Ons:

iFly737			Prosim737			Project Magenta			PMDG 737NG			SimAvionics		
FSX	P3D	XPLANE	FSX	P3D	XPLANE	FSX	P3D	XPLANE	FSX	P3D	XPLANE	FSX	P3D	XPLANE
X	X	?	X	X	?	X	X	X	X	X	?	X	X	?

X	Fully compatible, scripts available in downloads sect.
X	Fully compatible, no scripts available (under development)
X	Compatible with some add-on limitations
?	Pending confirmation for the add-on company

FSX	Microsoft Flight Simulator X
P3D	Lockheed Martin Prepar3D
X-Plane	X-Plane

This module has been designed to be connected directly to the “CEIP Electronic Backpanel”. This backpanel is an option where cables or other elements are not necessary. If you want to use it in another configuration, just connect the flat ribbon cables following the indications on the “Wiring Schedule”.

## 1.2 Hardware Compatibility (I/O Boards)

SimCards Ethernet	IOCards	Phidgets	MIP737	Pokeys USB	Arduino
Yes (Recommended)	Yes	Yes	Yes	No Information	Yes

## 1.3 Module Backpanel (PCB) Compatibility

This datasheet is valid for the following module backpanels (PCB):

V1	V2						
No	Yes						

## 2 Abbreviations

PRM	Plug Ready Module
MIP	Main Instrument Panel
CEIP	Center Instrument Panel

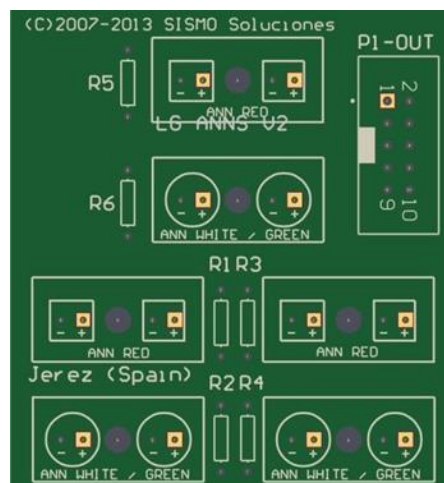
## 3 Customization

There are no customizations for this product.

## 4 Parts included

- 1 Landing Gear Annunciators Module, fully assembled and ready to be installed on the MIP.
- 1 un. 10 pins flat ribbon cable (length 25cm). For other lengths, please contact Sismo.

## 5 Backpanel Connectors



## 6 Wiring Schedule

### 6.1 Output

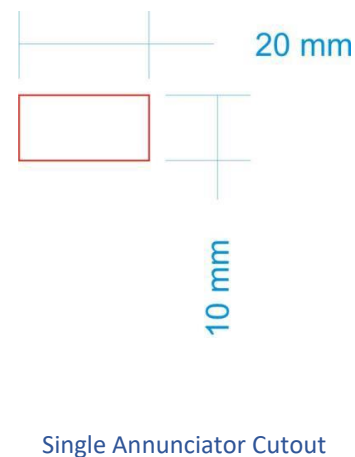
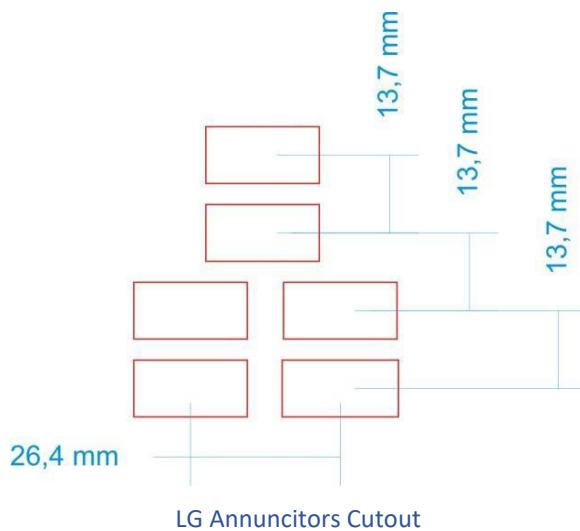
Function	State
Annunciator: R GEAR TR	ON
Annunciator: L GEAR TR	ON
Annunciator: N GEAR TR	ON
Not used	
Not used	

P1-OUT	
1	2
3	4
5	6
7	8
9	10

State	Function
ON	Annunciator: R GEAR DOWN
ON	Annunciator: L GEAR DOWN
ON	Annunciator: N GEAR DOWN
	Not used
Common GND for Output pins 1 to 8	

**Note:** Remark about the Output +5Vcc= ON / 0 Vcc = OFF

## 7 Cutout



## 8 Related Documentation

ID	DOCUMENT	Revision
01	User Manual – SimCards Ethernet	See the latest on our website
02	User Manual – MIP Ethernet	See the latest on our website
03	User Manual – Hookup & Wiring Guideline	See the latest on our website
04	Wiring Layout – CAIP, FOIP, CEIP	See the latest on our website

End of Document