

First Officer Brightness Control Module

S737NG-MIP-M-AL-A36-0234

Datasheet - FOBC Module V3.6 - Rev1.0.docx



Module Dimensions: (WxHxD) mm3	143 x 94 x D mm ³ <i>D = Depends on the knobs</i>
Module Line:	Alpha
Backlight (12V):	Yes, Warm White
Backpanel:	Yes, Specific PCB
Hardware Interface: (See Chapter 1.2)	To be connected to a Control Board like SimCard Ethernet, IOCard USB, etc.
Knobs:	Realistic Injection Plastic Knobs
Plug Ready Module:	Yes
Simulator Model:	Sim737NG
Scale:	1:1
Price (without VAT)	<i>Web: Shop</i>

www.sismo-soluciones.com

1 Compatibility

1.1 Software Compatibility

This module uses IDC connectors to interface with electronic I/O Boards, they cannot be connected directly to a Computer, it has to be through an electronic Board (see hardware compatibility). If the electronic board is a SimCard, then this module is compatible with the following Add-Ons:

iFly737			Prosim737			Project Magenta			PMDG 737NG			SimAvionics		
FSX	P3D	XPLANE	FSX	P3D	XPLANE	FSX	P3D	XPLANE	FSX	P3D	XPLANE	FSX	P3D	XPLANE
X	X	?	X	X	?	X	X	X	X	X	?	X	X	?

X	Fully compatible, scripts available in downloads sect.
X	Fully compatible, no scripts available (under development)
X	Compatible with some add-on limitations
?	Pending confirmation for the add-on company

FSX	Microsoft Flight Simulator X
P3D	Lockheed Martin Prepar3D
X-Plane	X-Plane

This module has been designed to be connected directly to the “CAIP Electronic Backpanel V3.6/CEIP Electronic Backpanel V3.5/FOIP Electronic Backpanel V3.5” or higher. This backpanel is an option where cables or other elements are not necessary. If you want to use it in another configuration, just connect the flat ribbon cables following the indications on the “Wiring Schedule”.

1.2 Hardware Compatibility (I/O Boards)

SimCards Ethernet	IOCards	Phidgets	MIP737	Pokeys USB	Arduino
Yes (Recommended)	Yes	Yes	Yes	No Information	Yes

1.3 Module Backpanel (PCB) Compatibility

This datasheet is valid for the following module backpanels (PCB):

V1	V1.5	V2	V3	V3.5			
No	No	No	No	Yes			

2 Abbreviations

PRM	Plug Ready Module
MIP	Main Instrument Panel
CAIP	Captain Instrument Panel
FOIP	First Officer Instrument Panel
CEIP	Center Instrument Panel
FOBC	First Officer Brightness Control

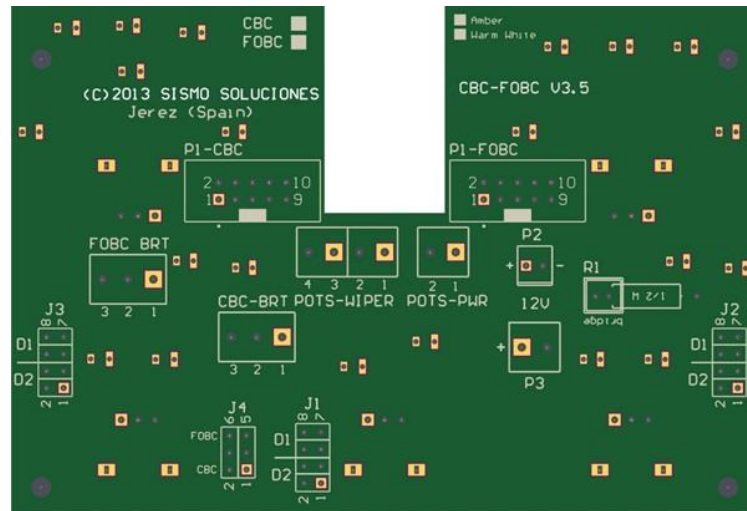
3 Customization

There are no customizations for this product.

4 Parts included

- 1 FOBC Module, fully assembled and ready to be installed on the MIP.
- 1 un. 10 pins flat ribbon cable (length 25cm). For other lengths, please contact Sismo.
- 3 painted screws M4x12 to fix the module to THE MIP casing (Fully compatible with the MIP casing of Sismo.)
- 1 Female connector for backlight.

5 Backpanel Connectors



6 Wiring Schedule

6.1 Inputs

Function	State	P1-FOBC		State	Function
Wiper OUTBD DU	ON	1	2	ON	Wiper INBD DU
Common +5V DC except POT BRIGHT	ON	3	4	ON	Common +5V DC except POT BRIGHT
GND for all the pots except POT BRIGHT		5	6	GND for all the pots except POT BRIGHT	
GND for all the pots except POT BRIGHT		7	8	ON	POT BRIGHT +5V DC
Wiper BRIGHT	ON	9	10	GND for POT BRIGHT	

6.2 Jumpers

The two jumpers on D1 side must be plugged in. In case that the rotation of the pot is inversed, please remove the jumpers from D1 position and place them in D2 position.

- J1 manages the OUTBD DU and INBD DU.
- J2 no used.
- J3 manages the MAIN PANEL BRIGHT.
- J4 internal used.

6.3 Other

FOBC-BRT	
1	POT BRIGHT +5V DC
2	Wiper BRIGHT
3	GND for POT BRIGHT

POTS-WIPER	
1	No used
2	Wiper INBD DU
3	No used
4	Wiper OUTBD DU

POTS-PWR	
1	+5V DC except POT BRIGHT
GND	GND

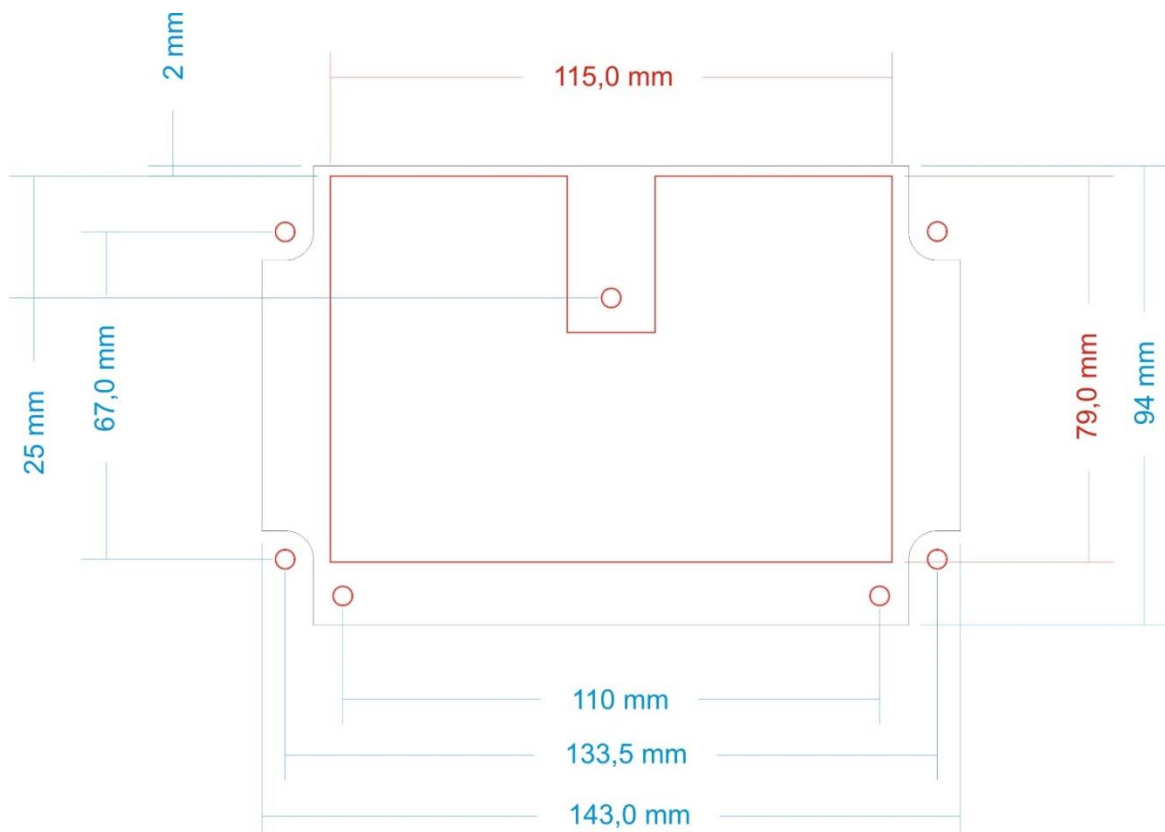
6.4 Backlight

12V-P2-P3	
Backlight	12V for backlight. This voltage can be provided directly from a 12 V DC power supply or can be provided by a “dimmer backlighting board” to have the dimming functionality available.

6.5 Notes

The FOBC and CBC modules each have the same PCB. The connections which are used will depend on the module being built. There are some connections which are not used in this module: P1-CBC, CBC BRT

7 Dzús and Screws Position



8 Related Documentation

ID	DOCUMENT	Revision
01	User Manual – SimCards Ethernet	See the latest on our website
02	User Manual – MIP Ethernet	See the latest on our website
03	User Manual – Hookup & Wiring Guideline	See the latest on our website
04	Wiring Layout – CAIP, FOIP, CEIP	See the latest on our website
05	Datasheet – CBC Module	See the latest on our website

9 Pictures

--	--

End of Document