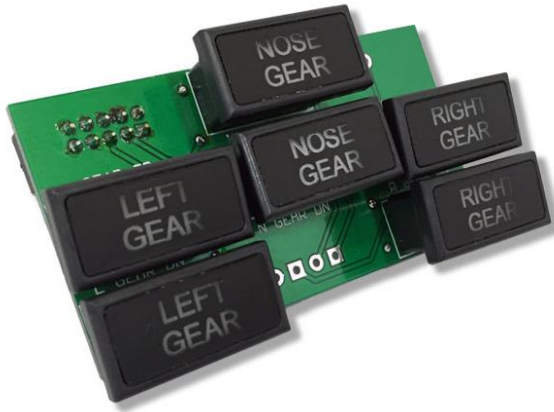


B737 MAX
Landing Gear Annunciators Module


| | |
|--|--|
| Module Dimensions: (WxHxD) mm3 | 73 x 38 x 24 mm3 |
| Module Line: | N/A |
| Backlight (12V): | No |
| Elec. Back Baseplate: | Yes, Specific PCB |
| Hardware Interface: (See Chapter 1.2) | To be connected to a Control Board like SimCard Ethernet, IOCard USB, etc. |
| Knobs: | No |
| Plug Ready Module: | Yes, UIC Connectors |
| Simulator Model: | Sim737MAX |
| Scale: | 1:1 |

S737MAX-MIP-M-NL-A10-0216

1 Compatibility

1.1 Software Compatibility

This module uses IDC connectors to interface with electronic I/O Boards, they cannot be connected directly to a Computer, it has to be through an electronic Board (see hardware compatibility). If the electronic board is a SimCard, then this module is compatible with the following Add-Ons:

| iFly737 | | | Prosim737 | | | Project Magenta | | | PMDG 737NG | | | SimAvionics | | |
|---------|-----|--------|-----------|-----|--------|-----------------|-----|--------|------------|-----|--------|-------------|-----|--------|
| FSX | P3D | XPLANE | FSX | P3D | XPLANE | FSX | P3D | XPLANE | FSX | P3D | XPLANE | FSX | P3D | XPLANE |
| - | - | - | - | - | - | - | - | - | - | - | - | - | - | - |

| | |
|---|--|
| X | Fully compatible, scripts available in downloads sect. |
| X | Fully compatible, no scripts available (under development) |
| X | Compatible with some add-on limitations |
| - | Pending confirmation for the add-on company |

| | |
|---------|------------------------------|
| FSX | Microsoft Flight Simulator X |
| P3D | Lockheed Martin Prepar3D |
| X-Plane | X-Plane |

This module has been designed to be connected directly to the "737MAX CAIP Electronic Baseplate V1". This baseplate is an option where cables or other elements are not necessary. If you want to use it in another configuration, just connect the flat ribbon cables following the indications on the "Wiring Schedule".

1.2 Hardware Compatibility (I/O Boards)

| SimCards Ethernet | IOCards | Phidgets | MIP737 | Pokeys USB | Arduino |
|-------------------|---------|----------|--------|----------------|---------|
| Yes (Recommended) | Yes | Yes | Yes | No Information | Yes |

1.3 Module Baseplate (PCB) Compatibility

This datasheet is valid for the following module baseplates (PCB):

| V1 | V1.1 | | | | | | |
|-----|------|--|--|--|--|--|--|
| Yes | Yes | | | | | | |

2 Abbreviations

| | |
|------|--------------------------------|
| PRM | Plug Ready Module |
| MIP | Main Instrument Panel |
| CAIP | Captain Instrument Panel |
| FOIP | First Officer Instrument Panel |

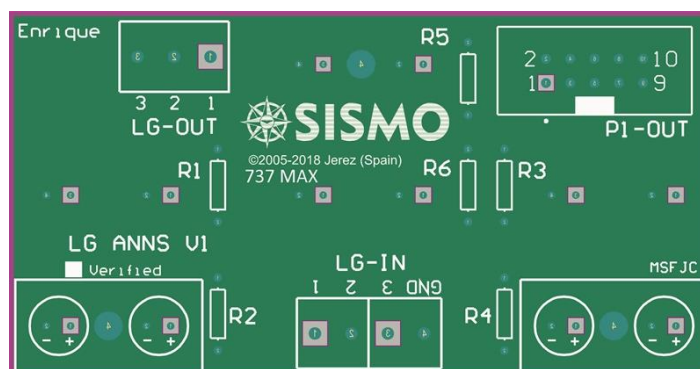
3 Customization

There are no customizations for this product.

4 Parts included

- 1 Landing Gear Annunciators Module, fully assembled and ready to be installed on the MIP.
- 1 un. 10 pins flat ribbon cable (length 25cm). For other lengths, please contact Sismo.

5 Module Baseplate Connectors



6 Wiring Schedule

6.1 Output

| Function | State | P1-OUT | | State | Function |
|----------------------------|-------|--------|----|-------|-----------------------------------|
| Annunciator: RIGHT GEAR UP | ON | 1 | 2 | ON | Annunciator: RIGHT GEAR DOWN |
| Annunciator: LEFT GEAR UP | ON | 3 | 4 | ON | Annunciator: LEFT GEAR DOWN |
| Annunciator: NOSE GEAR UP | ON | 5 | 6 | ON | Annunciator: NOSE GEAR DOWN |
| Not used | | 7 | 8 | | Not used |
| Not used | | 9 | 10 | | Common GND for Output pins 1 to 6 |

Note: Remark about the Output +5Vcc= ON / 0 Vcc = OFF

6.2 Others

| LG-IN | |
|-------|----------|
| | Not used |

| LG-OUT | |
|--------|----------|
| | Not used |

7 Related Documentation

| ID | DOCUMENT | Revision |
|----|---|-------------------------------|
| 01 | User Manual – SimCards Ethernet | See the latest on our website |
| 02 | User Manual – Hookup & Wiring Guideline | See the latest on our website |

End of Document